

**ELECTRICIANS !! :**

Always contact Engineering Dispatch or District Manager before building your service entrance. They will tell you specifications of your conduit. Also, leave 18 inches of wire hanging out of the weatherhead. On 100 amp or less, #2 copper or 1/0 aluminum THWN or THW is minimum required.

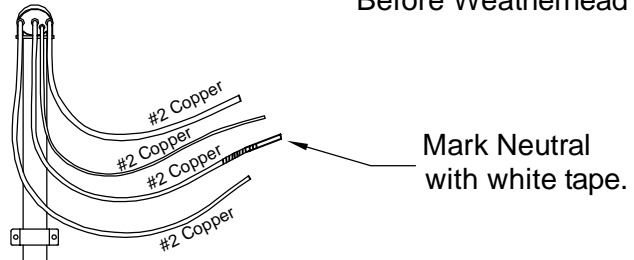
30 ft pole = 15 ft conduit = 3, 2-hole conduit straps  
 35 ft pole = 20 ft conduit = 4, 2-hole conduit straps

- Note :
1. Customer facilities shall comply with National Electrical safety code and authorities having jurisdiction.
  2. Service Loop shall be completely assembled

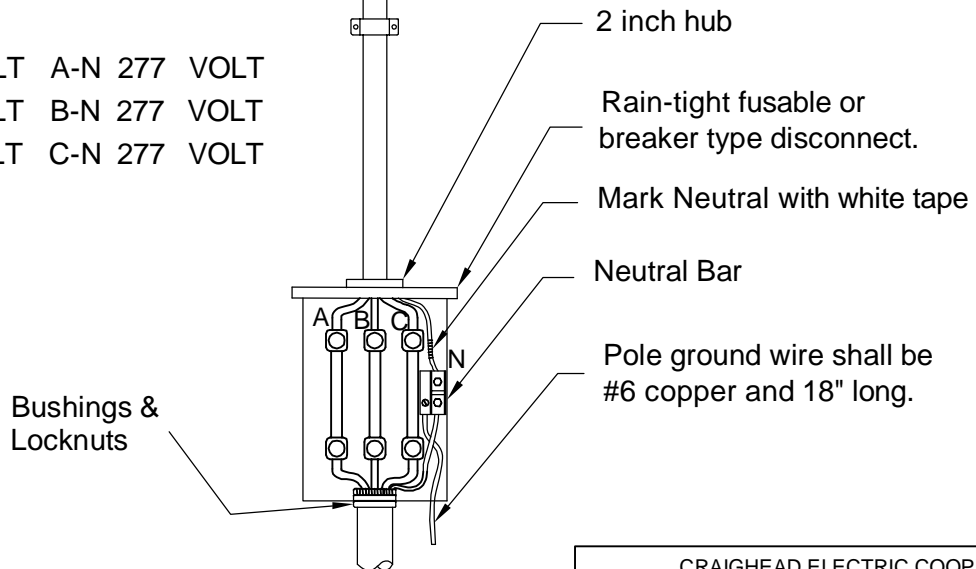
**Volt Reading:**

A-B 480 VOLT    A-N 277 VOLT  
 B-C 480 VOLT    B-N 277 VOLT  
 A-C 480 VOLT    C-N 277 VOLT

CECC Stops at Wire Connections Before Weatherhead



Conduit must be 2 inch schedule 80 Electrical Gray PVC, I.M.C. or rigid. Your weatherhead must be of the same material as conduit. Example: if you use plastic conduit, you must use plastic weatherhead.



CRAIGHEAD ELECTRIC COOPERATIVE

277/480 V 3 PHASE  
 4 WIRE SERVICE LOOP

APPROVED BY: KB

DATE: 5-23-11

CHECKED BY: KB

SCALE: none

DRAWN BY: mbarnes



DWG NO.: 3115

NEC = National Electric Code  
 Current Code Requirement